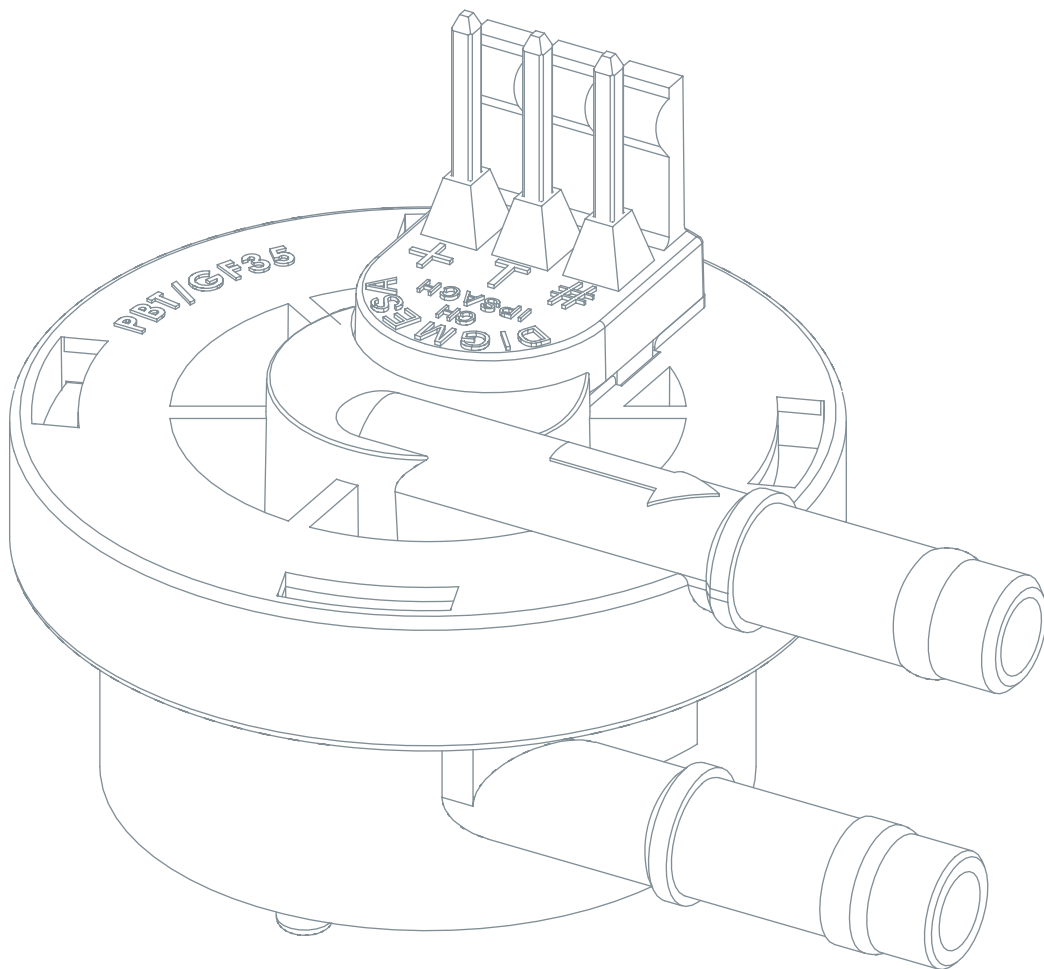


FLOW SENSOR FHKSC  
SMALL AND COST-EFFECTIVE  
MADE BY DIGMESA



## FLOW SENSOR FHKSC

### TECHNICAL INFORMATION

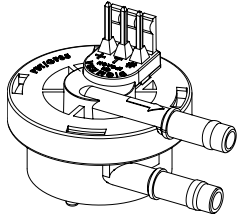
Flow Rate l/min		
Nozzle	Min	Max
1.0 mm	0.05	0.40
1.2 mm	0.08	0.65
1.8 mm	0.10	1.00
2.0 mm	0.14	1.20

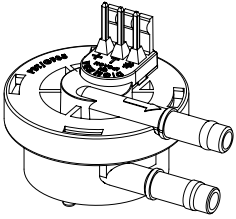
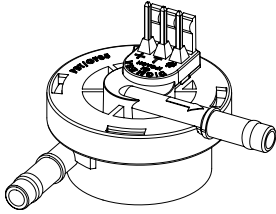
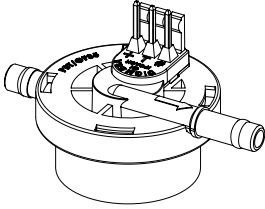
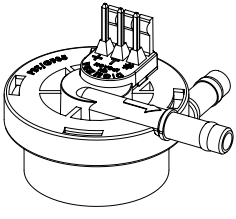
Output Signal
Pulse

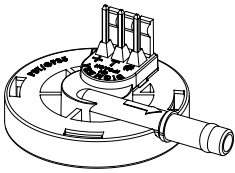
Material
PBT(Arnite), PVDF


Application examples
Household Coffee Machines, Drink Dispensers, Chemicals

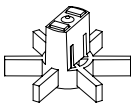
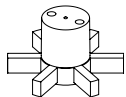
The Classicline FHKSC is perfectly suited for applications requiring good quality at an attractive price, for instance in coffee machines for home use. It is installed on the pump's suction side. Its light-weight design and flexible choice of connection position perfectly match manufacturers' requirements. With millions of units shipped every year, this flow sensor is also extremely reliable: it has a return rate of practically zero.

	FHKSC STD	FHKSC Chemistry
<b>Housing Material</b>		
		
PBT (Arnite)	STD	-
PVDF	-	STD

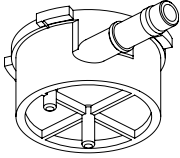
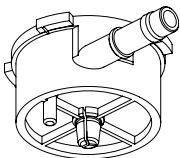
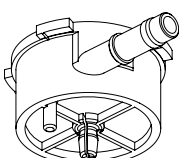
<b>Process Connection</b>			
0°		STD	STD
90°		•	•
180°		•	•
270°		•	•

		FHKSC STD	FHKSC Chemistry
<b>EI. Connection</b>			
20V Pancon Mas-Con		STD	STD
20V Pancon Mas-Con R1,2K		•	•
24V Pancon Mas-Con		•	•
24V Pancon Mas-Con R1,2K		•	•

<b>O-Ring</b>			
Silicone		STD	-
EPDM		-	•
FPM (Viton)		-	STD

<b>Turbine</b>			
PP 2M		STD	-
PP 2M double impulse		•	-
PVDF 2M		•	-
Chem 2M		-	STD
Chem 4M		-	•

<b>Options</b>			
Steam-Stop		•	-

<b>Fixing</b>			
Fastening pin		STD	STD
catcher, large		•	-
catcher, small		•	-